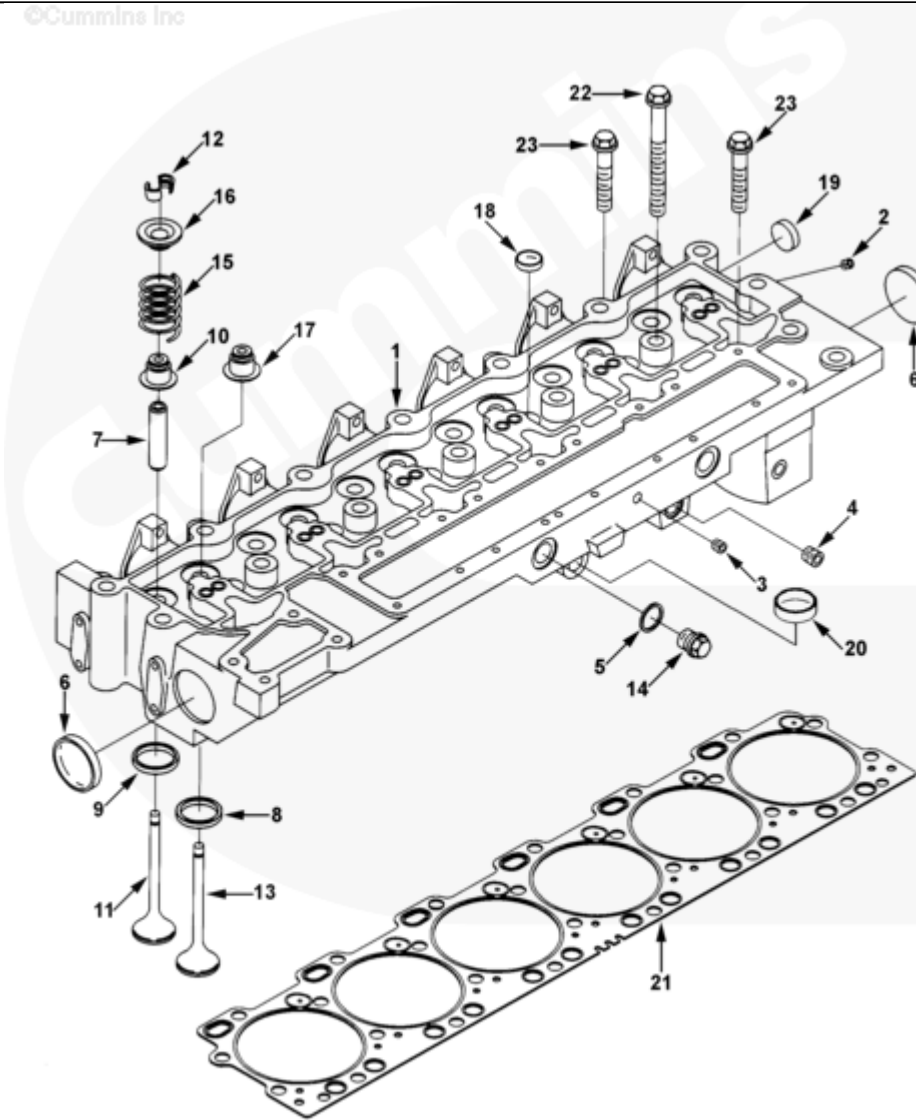




Parts Catalog - Option Detail

Electronic Parts Catalog - Option Detail				
Option	Group	Graphic	Film Card	Date
PP9996-06	02.01	pp957ge	Z	13-JUN-01
Engines	6C8.3, C GAS PLUS CM556, G8.3, G8.3 CM558, GTA8.3 CM558, ISC CM2150, ISC CM554, ISC CM850, ISC8.3 CM2250, ISC8.3 G CM2180 C101, ISL CM2150, ISL CM554, ISL CM850, ISL G CM2180, ISL8.9 CM2150 L110, ISL8.9 CM2880 L112, ISL9 CM2150 SN, ISL9 CM2250, ISL9 CM2350 L101, ISL9 CM2350 L111, ISLE4 CM850, L GAS PLUS CM556, L8.9, L8.9 L121, L8.9G CMOH2.0 L125B, L9 CM2350 L116B, L9 CM2350 L119B, L9 CM2350 L120C, L9 CM2350 L123B, L9.3 L105, L9.5 L117, L9N CM2380 L124B, QSC8.3 CM2250, QSC8.3 CM2880 C102, QSC8.3 CM554, QSC8.3 CM850(CM2850), QSL9 CM2250, QSL9 CM2250 L115, QSL9 CM2350 L102, QSL9 CM2350 L107, QSL9 CM2350 L118, QSL9 CM2350 L122, QSL9 CM554, QSL9 CM850(CM2850), QSL9 G CM558, QSL9 M CM2250 L106, QSL9.3 CM2880 L113			



pp957ge

Cart	Ref No	Part Number	Part Description	Required	Remarks
View My Cart					
		PP9996-06	Cylinder Head		
					Engine Family: C Series
					Engine Design Phase: Current
					Product
					Cylinder: 6
					Swirl: Low
					MFLD Pressure to Lift EXH
					Valve (PSI): 30
					Air Compressor Inlet
					Coupling: Without
					Notched Head: No
					Cylinder Head Material: Moly
					Cylinder Head Valve Material:
					Premium
					Exhaust Manifold Type: Dry
					Valve Seat Inserts: No
					Valve Bridge Scalloping: No
					Compression Brake Mounting
					Hardware: No
					Aspiration: Jacket Water
					Aftercooled, Turbocharged,
					Charged Air Cooled.
<input type="checkbox"/>		3931925	Cylinder Head	1	
<input type="checkbox"/>	1	3936178	Cylinder Head	1	
<input type="checkbox"/>	2	3008464	Pipe Plug	1	1/16 NPT
<input type="checkbox"/>	3	3008466	Pipe Plug	1	1/4 NPT.
<input type="checkbox"/>	4	3008468	Pipe Plug		1/2 NPT.
<input type="checkbox"/>	5	3902425	Sealing Washer	2	M22

<input type="checkbox"/>	6	3922072	Expansion Plug	2	
<input type="checkbox"/>	7	3925863	Valve Stem Guide	12	
<input type="checkbox"/>	8	3928174	Valve Insert	6	Exhaust
	9	3908830	Valve Insert	6	Standard
<input type="checkbox"/>	10	3927642	Valve Stem Seal	6	
<input type="checkbox"/>		3802463	Intake Valve Kit		
	11	3924492	Intake Valve	6	Sold In Higher Level Assy/Kit
<input type="checkbox"/>	12	3901177	Valve Collet	12	
<input type="checkbox"/>		3802085	Exhaust Valve	1	
	13	3921444	Exhaust Valve	6	Sold In Higher Level Assy/Kit
<input type="checkbox"/>	12	3901177	Valve Collet	12	
<input type="checkbox"/>	14	3924148	Threaded Plug	2	M22 x 1.50 x 14
<input type="checkbox"/>	15	3925272	Valve Spring	12	Intake and Exhaust
<input type="checkbox"/>	16	3925273	Valve Rotator	12	
<input type="checkbox"/>	17	3927642	Valve Stem Seal	6	
<input type="checkbox"/>	18	3914035	Expansion Plug	5	
<input type="checkbox"/>	19	3920443	Expansion Plug	1	
<input type="checkbox"/>	20	3912900	Expansion Plug	1	
<input type="checkbox"/>	21	3938267	Cylinder Head Gasket	1	
<input type="checkbox"/>	22	3917729	Fracture Resistant Screw	12	M14 X 2.00 X 80.
<input type="checkbox"/>	23	3917728	Hexagon Flange Head Cap Screw	14	M14 x 2.00 x 160